

Sundeck Kit Installation Components 8 ft x 10 ft

Corner Posts	Current design *(CD)	4
Y Posts (if required)	Current design *(CD)	0
Ladder	Current design *(CD)	1
Cross Member Type	2" H x 8'L	9
L-Angle	3" x 5" x 10'	2
Angle "L" Edging (Ends)	1.5" x 3" x 8'	2
Angle "L" Edging (Sides)	1.5" x 3" x 10'	2
Checker Plate Corners	3.5" high	4
Trim railing (if not railing)	1.5" x 1.5" x 7.5"	4
Trim railing (if not railing)	1.5" x 1.5" x 7.5"	1
Trim railing (if not railing)	1.5" x 1.5" x 7.5"	1
Hex Head Bolts for railing	1/4" x 3 1/2"	18
Flat washer railing (Top-Fender)	1/4" x 1"	18
Flat washer railing (Bottom)	1/4" x 11/16"	18
Hex Head Bolts for edging (post / hatbars)	1/4" x 2 1/2"	16
Hex Head Bolts for hat bars	5/16" x 1"	36
Hex Head Bolts (corner posts at base)	5/16" x 3 1/2"	8
Hex Head Bolts (corner posts at top)	5/16" x 2 1/2"	16
Hex Head Bolts (secure ladder at base)	5/16" x 3 1/2"	2
Hex Head Bolts (secure ladder at top)	5/16" x 3 1/2"	4
Flat Washers for 5/16" bolts	5/16"	164
Nylocs for 5/16" bolts	5/16"	82
Plastic Spacers under cross members	1 1/2" x 1 1/4"	8
Flooring screws self drilling -counter sunk	#12 x 1 1/2"	90
Pan head self drilling crews for corners	#10 x 1 1/4"	16
Pan head self drilling crews for edging	#10 x 1 1/4"	34
Instruction Booklet	Kit assembly	1



U-FAB BOATS®

Product/Service Information Sundeck Kit Installation Guide 8ft x 10ft



*Visit our web site at
www.u-fabboats.com*

**459 Highway 29, R.R. #4
Smiths Falls, Ontario, K7A 4S5
Canada**

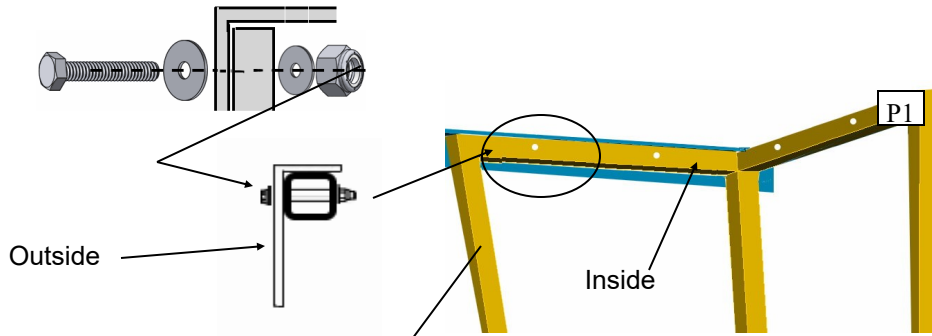
**Phone: 613-283-1888 Fax: 613-205-0885
E-mail: ken@u-fabboats.com**

1

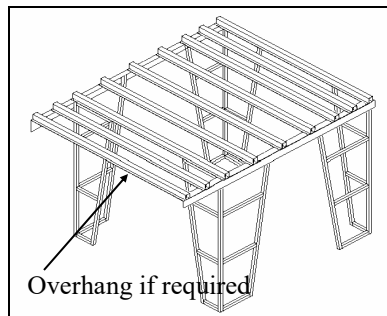
Sundeck Installation

1. If you are installing on a new boat kit proceed to step 2. If the kit is being installed on a pre-built boat, measure to make sure the corners are going to fit your deck. You may have to move the corner

2. Using a C-Clamp secure the corners to the L-Angle. Drill 2 holes through the 1.5" corners and the L-Angle" see P1". Using 2.5" bolts secure the first front and rear corners. For pre-made boats make sure the corner are going to fit before proceeding. Attach other corners and secure bolts



You may have to move the corners forward on the L-Angle. See frame drawings below



6

Attach the ladder "4 bolts at top and 2 bolts at the base."



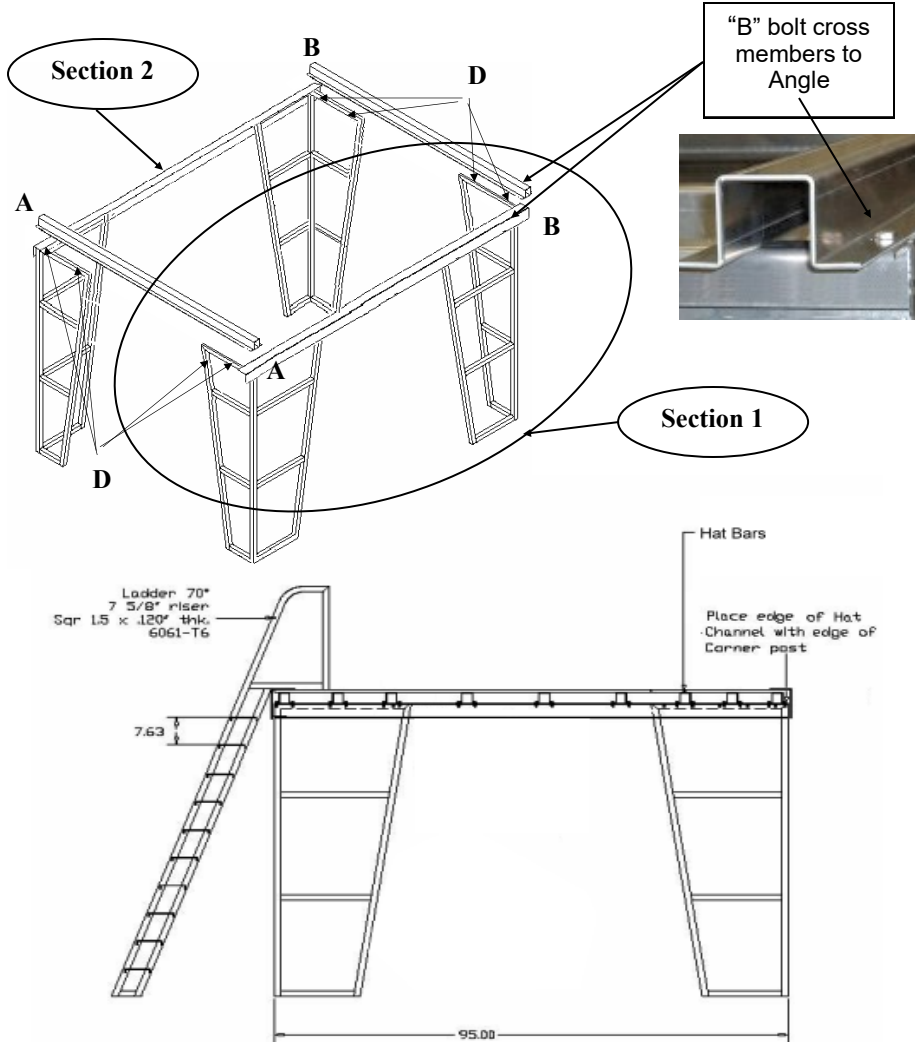
Trim railing for upper deck

Fasten the trim rail on the deck with supplied hardware



4. Square up the sun deck corners on each side of the deck (section 1 and section 2) and attach the first and last cross members flush with the L-Angle support and corners. Starting from A or B, Install the hat bars at 16" centers starting from the edge of one of the hat bars.

Note: The 10ft long sun deck does not divide evenly by 16" so the second cross member at one end with not be on 16" centers.



A 1/4" spacer goes between the corner and hat bar both sides A and B. Bolt goes through hat bar and corner. (see page 3-"D")

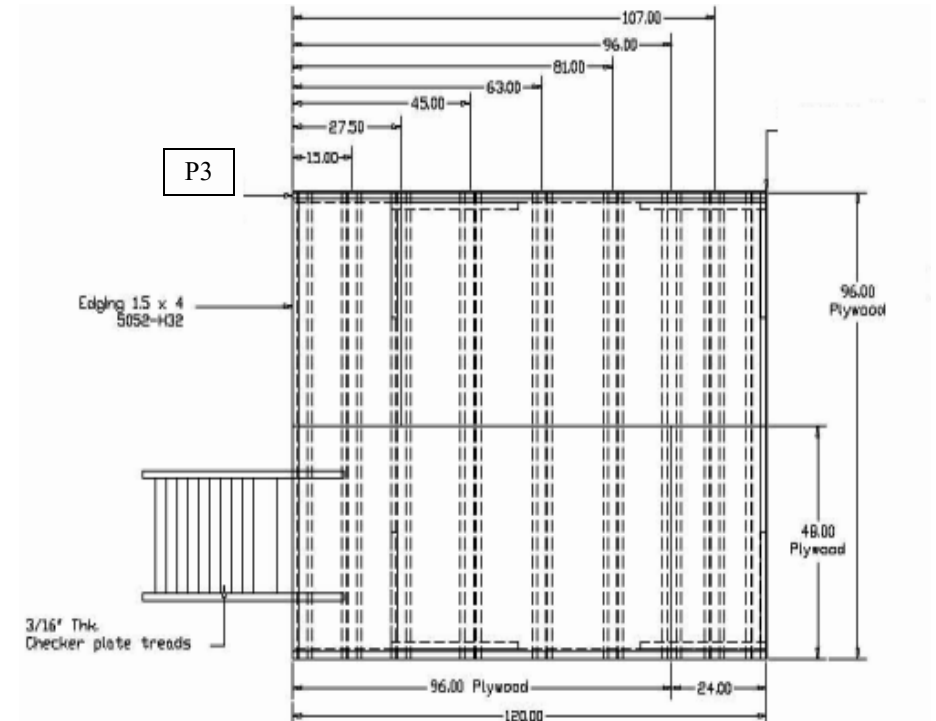
Plywood not included

5. Fix the flooring using #10 x 1 1/4" screws. The 1 1/4" screws are the default length when using 3/4" thick marine grade plywood for the upper deck.

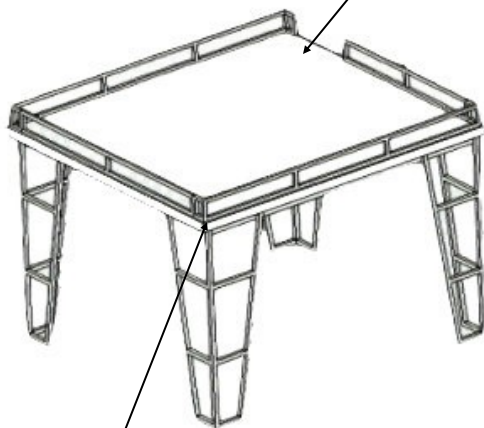
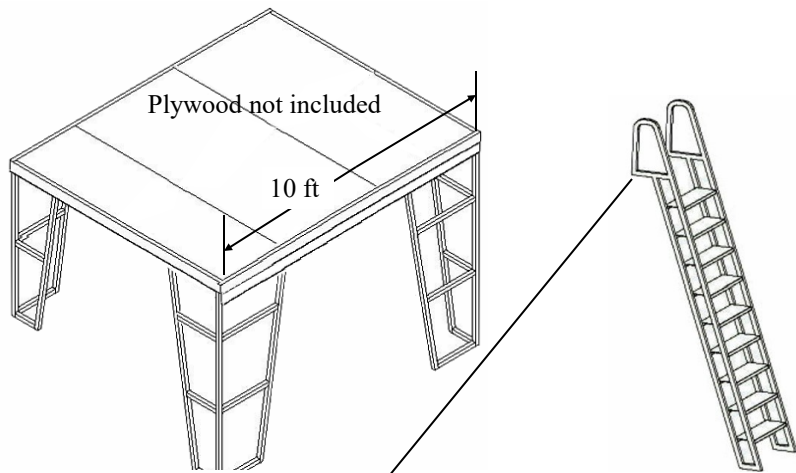
The screws should attach on the hat bars at about every 12".

NB: You will need to pre-drill pilot holes with a 5/32" dia. drill bit for the deck screws.

The edges of the marine grade plywood should be coated with "epoxy coating" for best long life results.



5



Install the L-Angle edging around the perimeter of the sun deck.

Install the 4 corners." see photo P4 below"

The trim railing gets installed on the deck and inside the L-Angle edging lip.

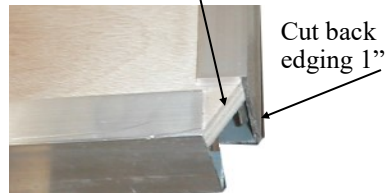
Leave an opening as required for the ladder.

Cut the edging back 1" from corner and trim the plywood corner at 45% so the corners fit square.

P4

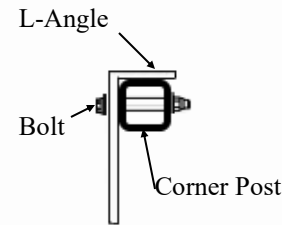
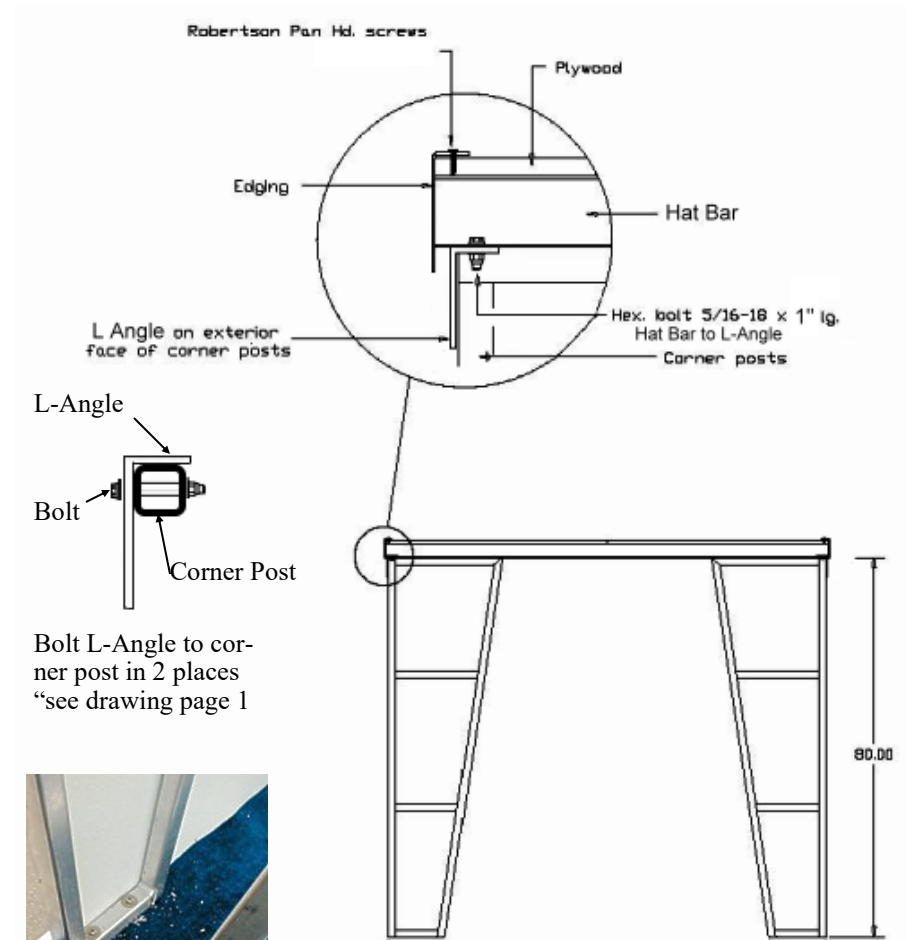


Aluminum corner



2

3. When attaching the four bolts at the bottom of each corner post " see Photo below" there will be washers on the top part as per photo. The bolts that extend through the deck will require larger fender washers along with the nyloc nuts.



Bolt L-Angle to corner post in 2 places "see drawing page 1



Bottom Corner Posts

80.00