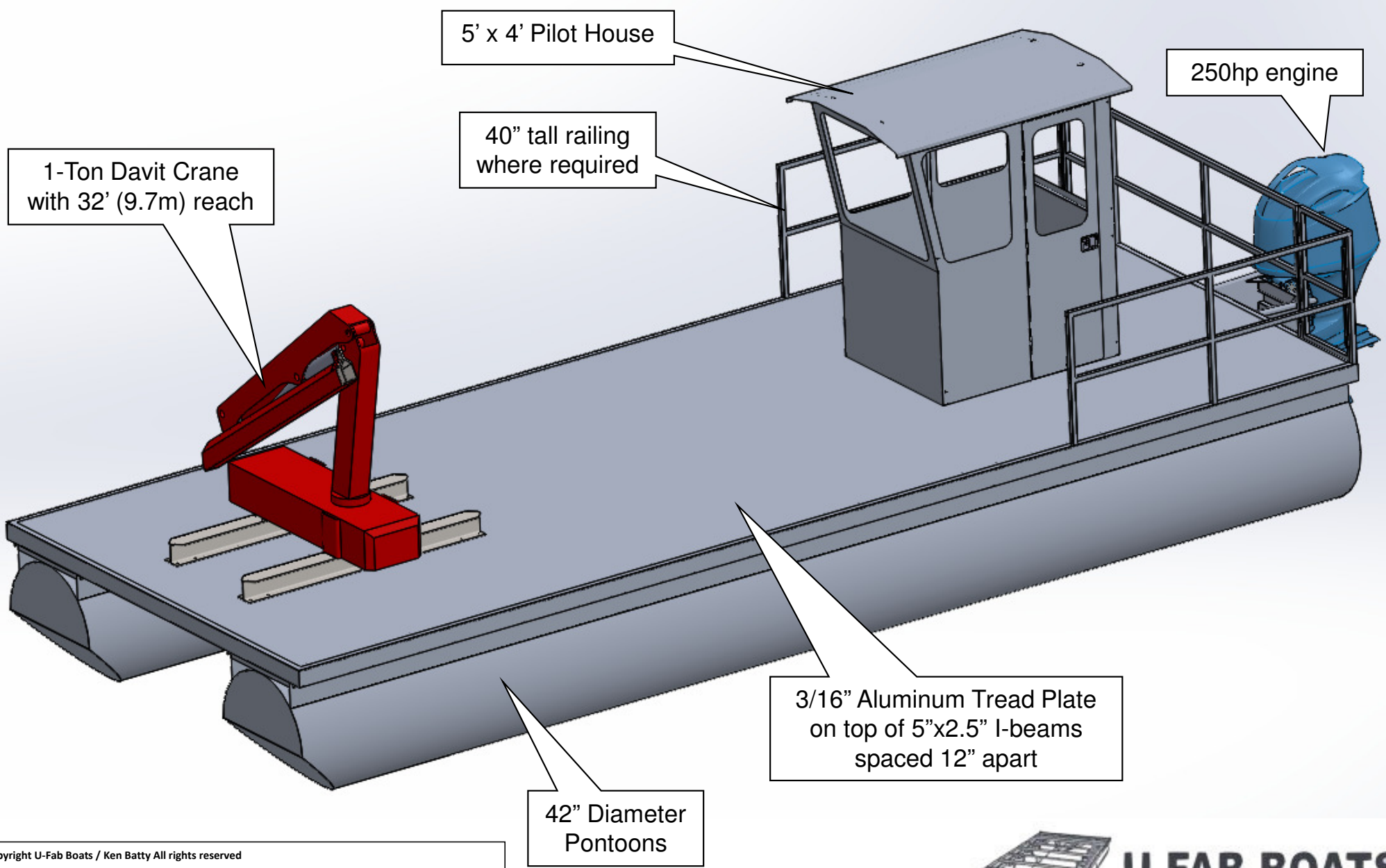


30' x 12' WORK BOAT WITH 1-TON DAVIT CRANE AND 660lb @ 32ft REACH

ESTIMATED WEIGHT OF BOAT KIT 6800 lb
(4500 lb pontoon, 400 lb cabin, 500 lb 250hp engine,
1000 lb crane, 400 lb accessories)
LOAD CAPACITY 11200 lb MAX. (5.1 tons)



Copyright U-Fab Boats / Ken Batty All rights reserved

All drawings submitted to clients for review are the property of U-Fab Boats and are submitted for consideration on the understanding that there shall be no exploitation of any information herein without the specific written consent of U-Fab Boats

